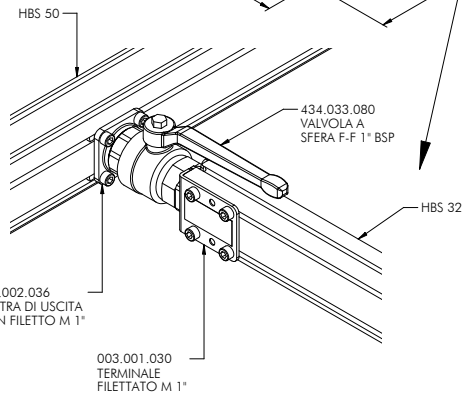
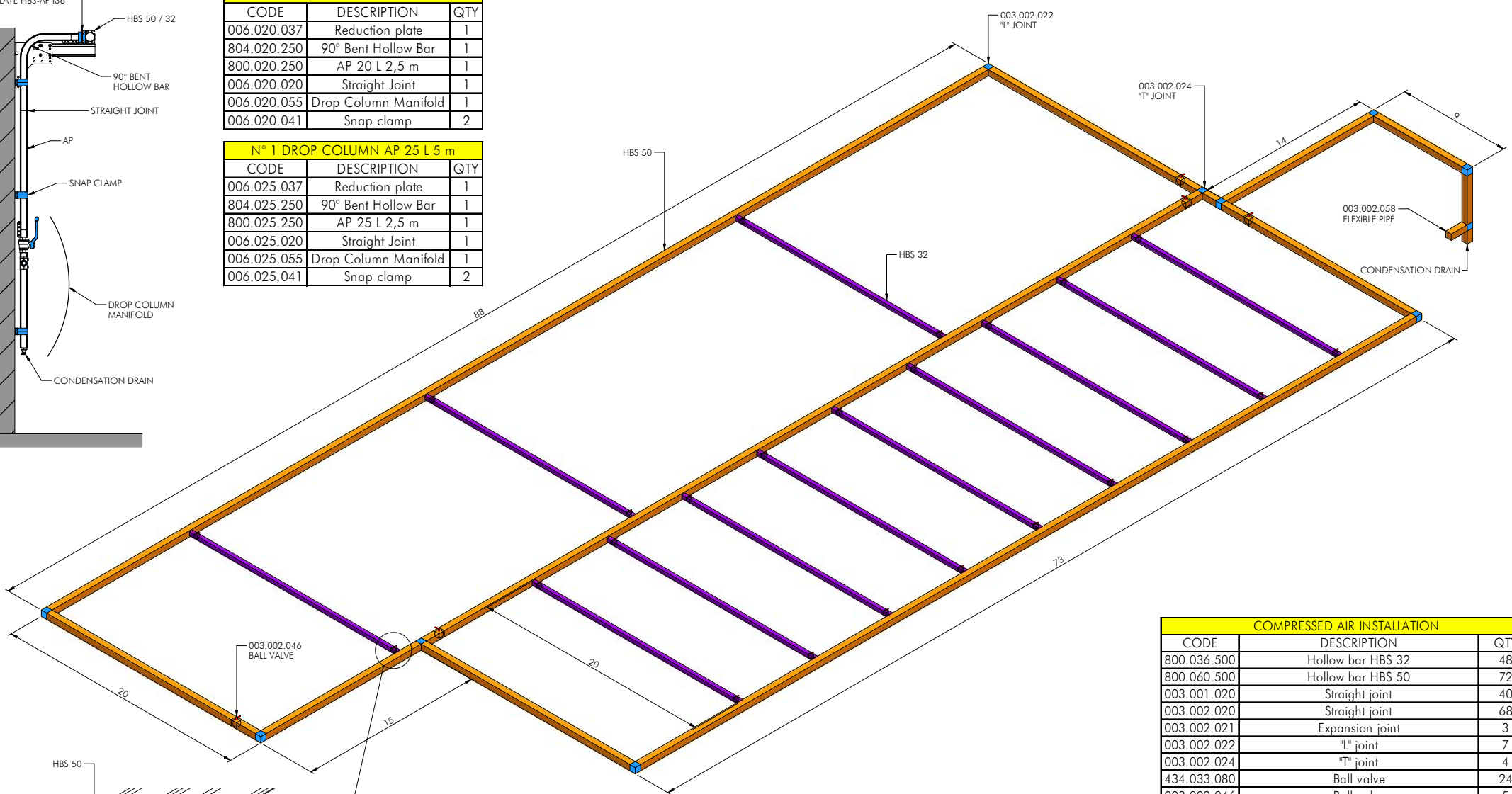


N° 1 DROP COLUMN AP 20 L 5 m		
CODE	DESCRIPTION	QTY
006.020.037	Reduction plate	1
804.020.250	90° Bent Hollow Bar	1
800.020.250	AP 20 L 2,5 m	1
006.020.020	Straight Joint	1
006.020.055	Drop Column Manifold	1
006.020.041	Snap clamp	2

N° 1 DROP COLUMN AP 25 L 5 m		
CODE	DESCRIPTION	QTY
006.025.037	Reduction plate	1
804.025.250	90° Bent Hollow Bar	1
800.025.250	AP 25 L 2,5 m	1
006.025.020	Straight Joint	1
006.025.055	Drop Column Manifold	1
006.025.041	Snap clamp	2



COMPRESSED AIR INSTALLATION		
CODE	DESCRIPTION	QTY
800.036.500	Hollow bar HBS 32	48
800.060.500	Hollow bar HBS 50	72
003.001.020	Straight joint	40
003.002.020	Straight joint	68
003.002.021	Expansion joint	3
003.002.022	"L" joint	7
003.002.024	"T" joint	4
434.033.080	Ball valve	24
003.002.046	Ball valve	5
003.002.025	Terminal with threaded hole	1
003.001.030	Nipple Threaded male	24
003.002.036	Outlet plate BSP threaded male	24
003.002.058	Flexible pipe for connection to compressor	1
435.014.035	Condensate drain	1
003.001.040	Fixing "L" plate	240
003.001.093	Instruction manual	1
104.025.150	Adesive stickers	33

This design, including its dimensions and list of materials, is purely indicative and is only intended for a commercial presentational use.  
We are reserved to create a free technical analysis based on more precise technical information.

**Development HBS 50 ≈ 360 m | Development HBS 32 ≈ 240 m |**

RUS SAVITAR		DELTA PRES	
Divisione:	Area:	Divisione:	Area:
Naturale	Milanesi	Pressione max. di esercizio: 13 bar	Chileno
22/07/08	No. Scelta	Pressione max. di esercizio: 13 bar	Chileno

TESEO  
WWW.TESEONR.COM